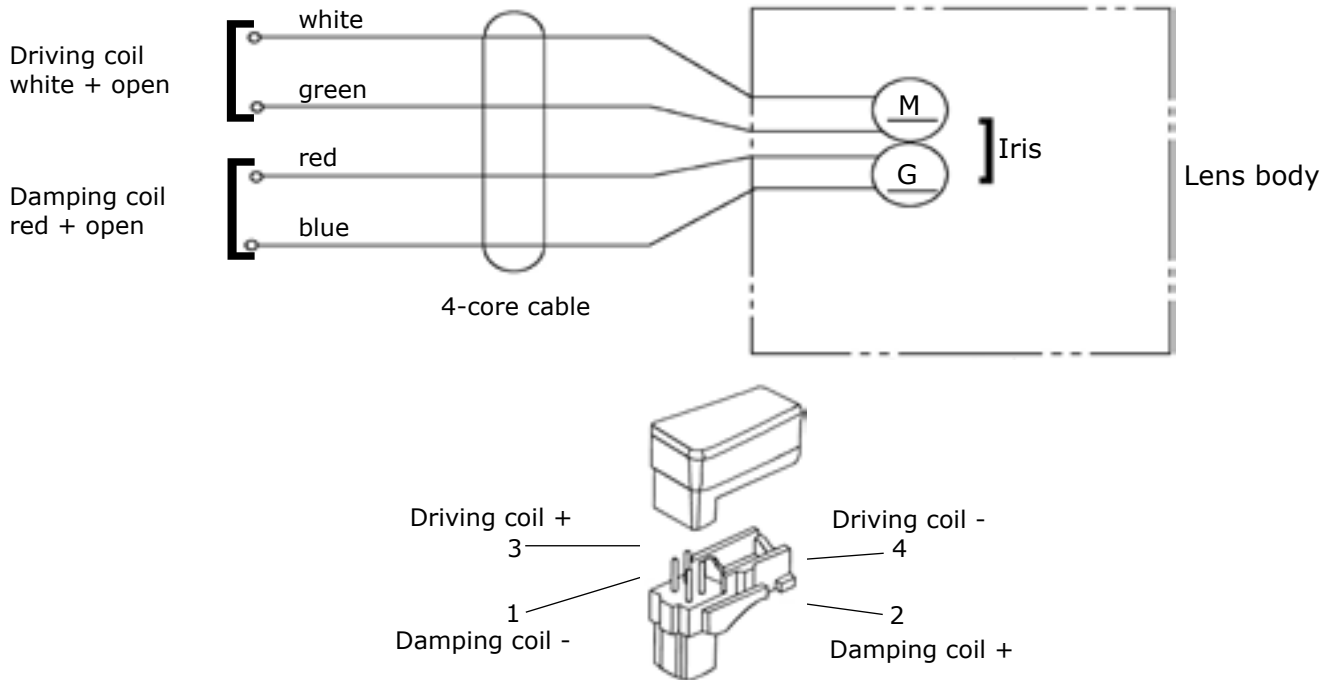
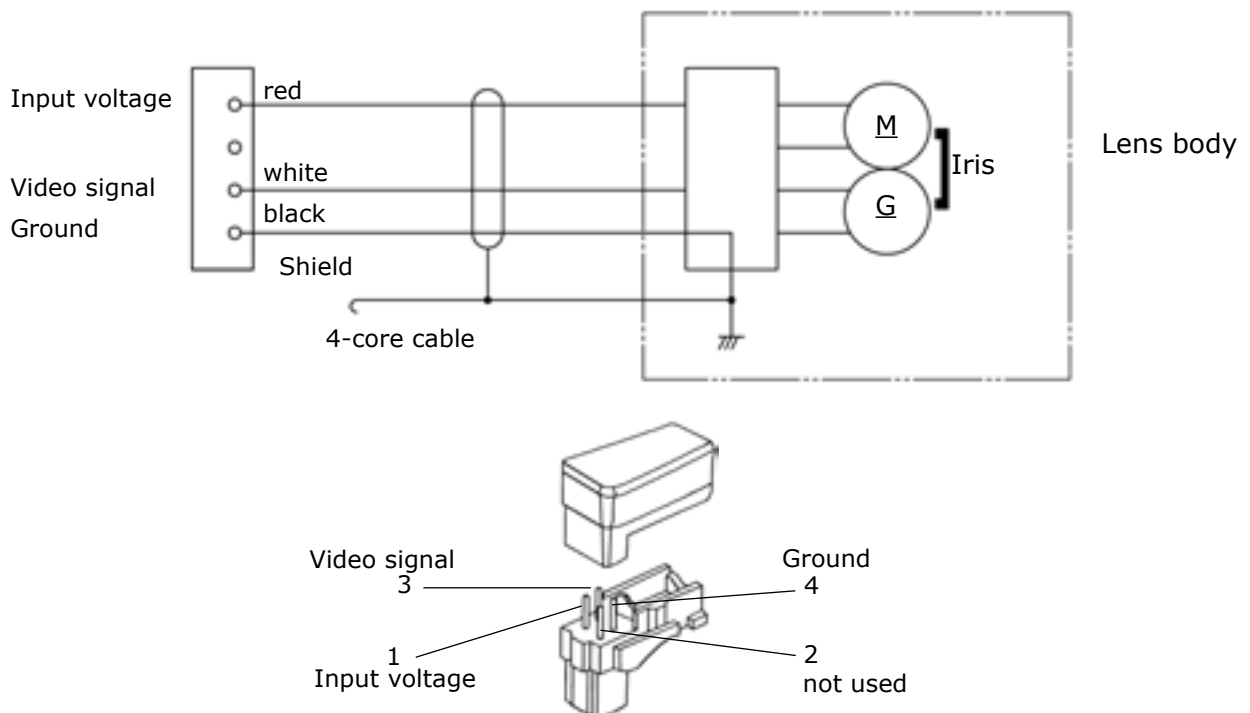


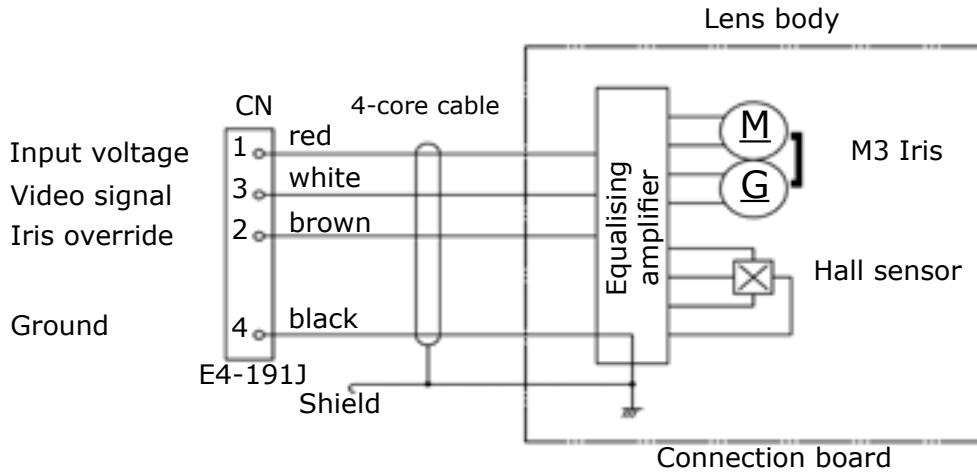
Wiring diagram and pin assignment for lenses with fixed focal length and DC Auto-Iris



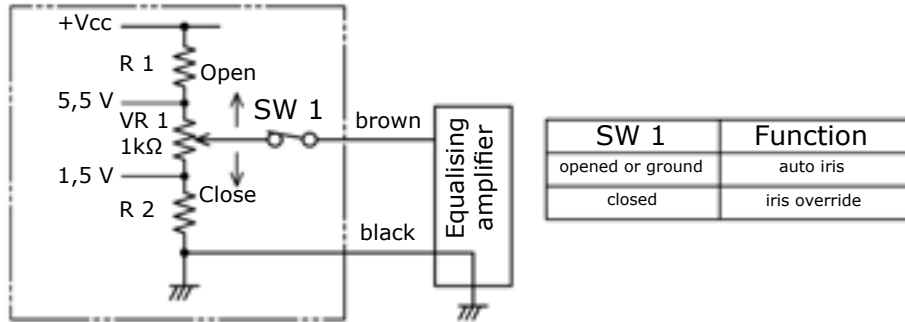
Wiring diagram and pin assignment for lenses with fixed focal length



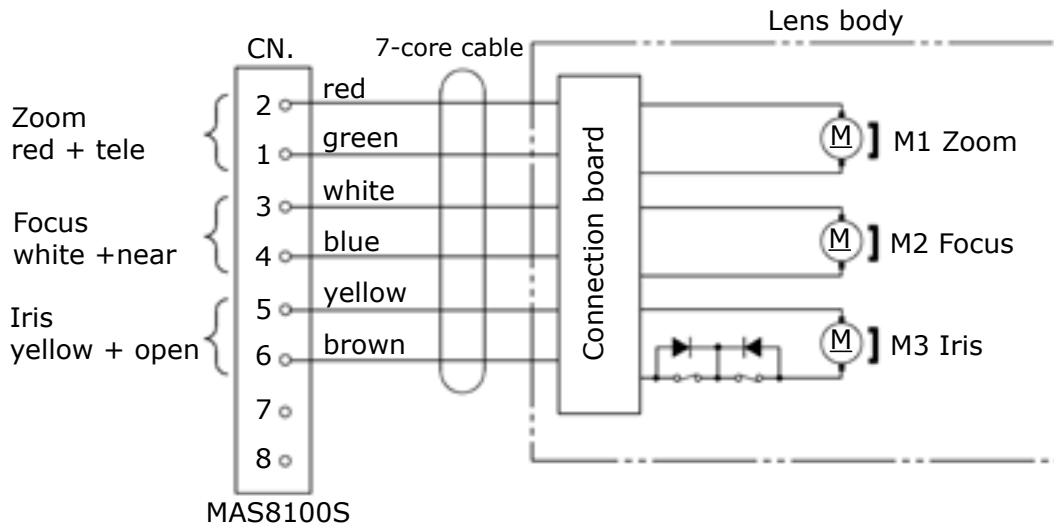
Wiring diagram for lenses with fixed focal length and iris override ER



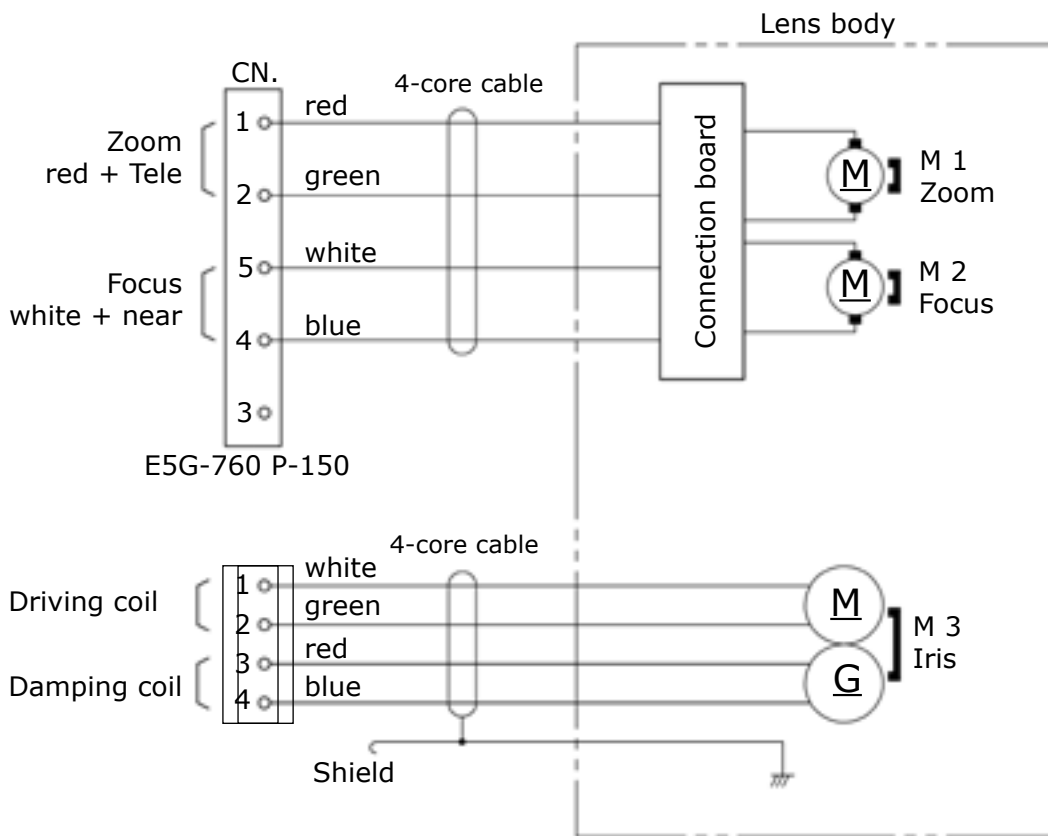
The iris override is controlled with the following circuit



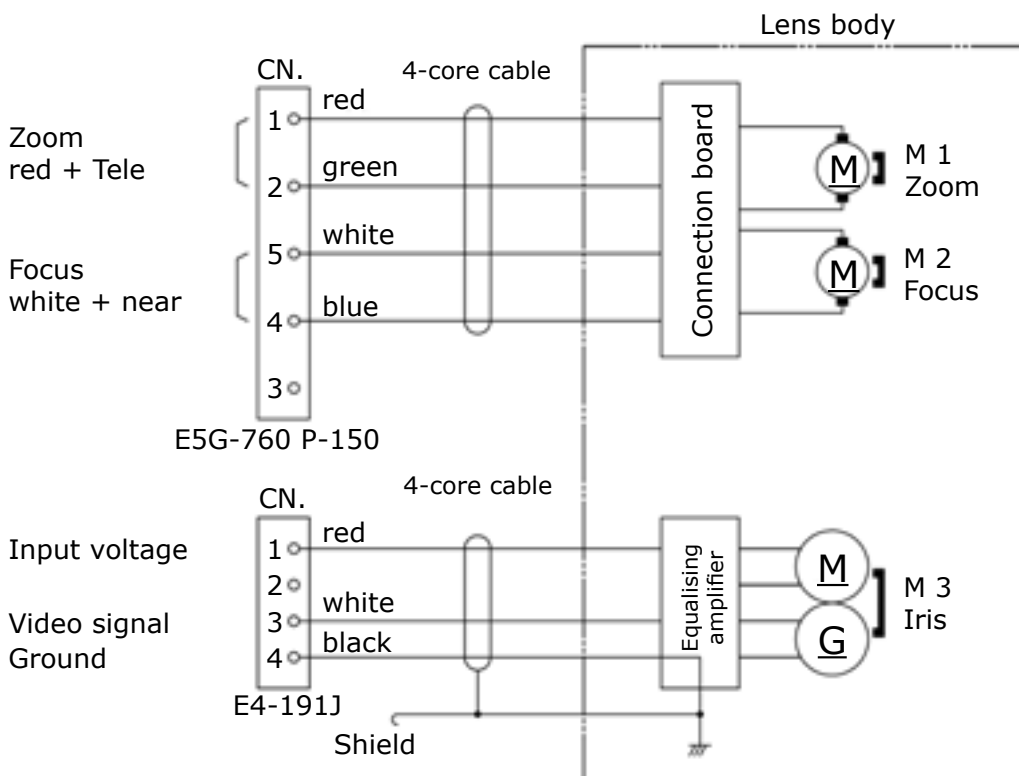
Wiring diagram for zoom lenses with 3 motors - C31211



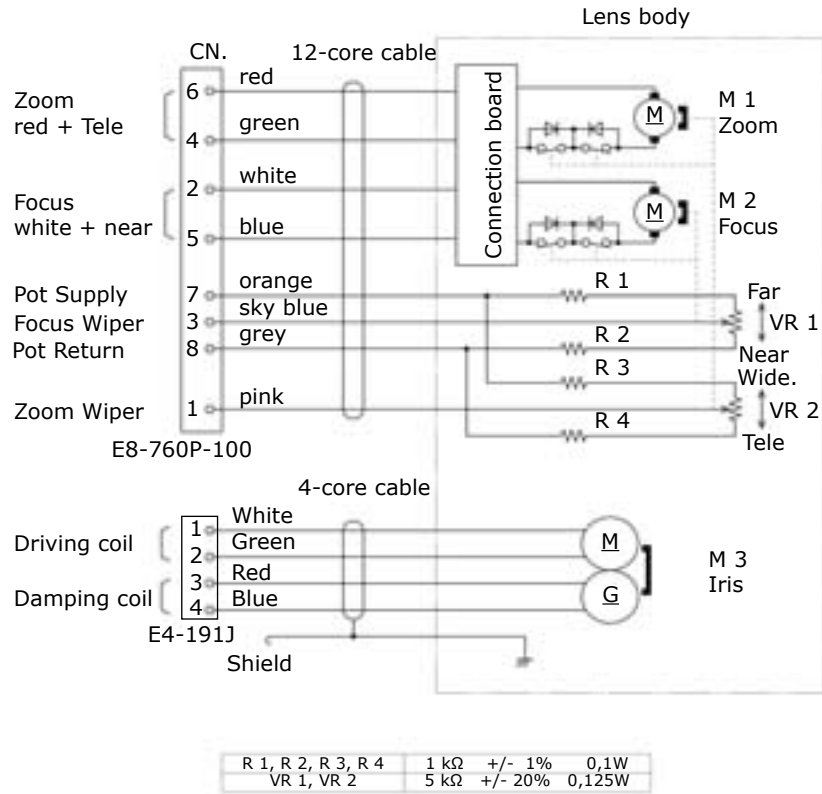
Wiring diagram for zoom lens with DC Auto-Iris and 2 motors - C60826ZD



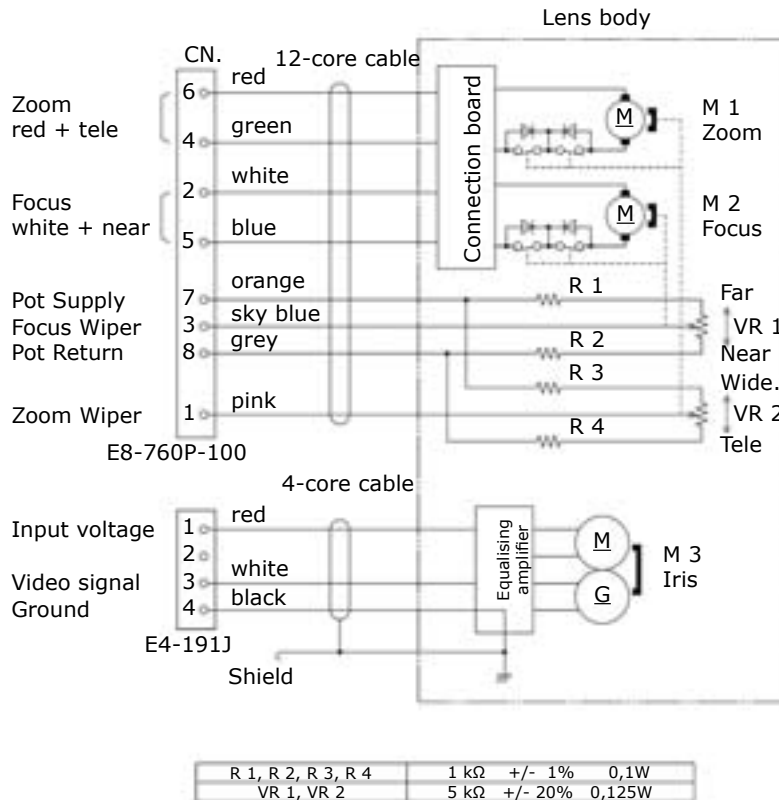
Wiring diagram for zoom lens with video drive Auto-Iris and 2 motors - C60826WX



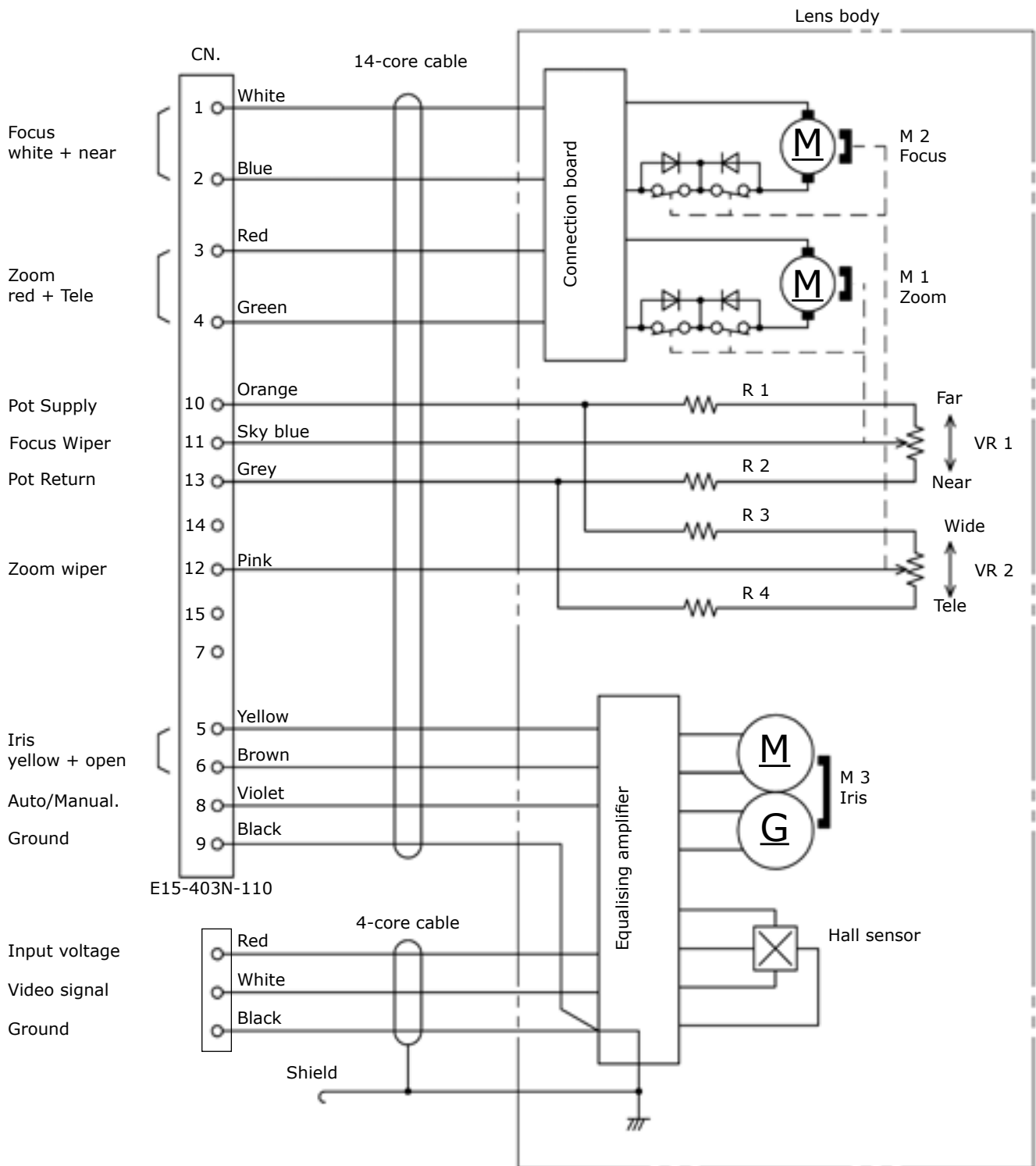
Wiring diagram for zoom lens with DC Auto-Iris, 2 motors and presets - C60829ZD



Wiring diagram for zoom lenses with video drive Auto-Iris, 2 motors and presets - C60829WX

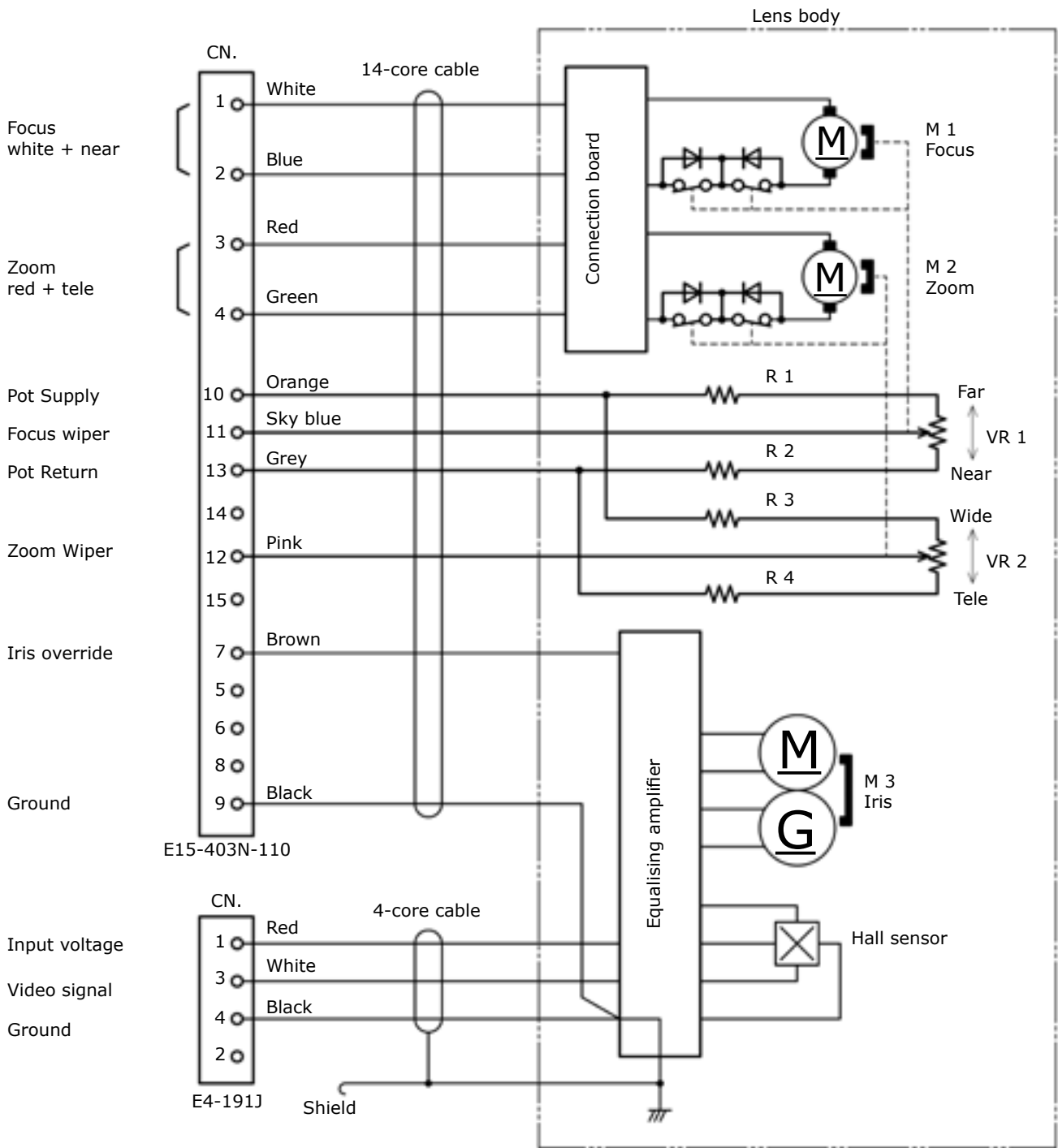


Wiring diagram for zoom lenses with video drive iris, iris override (with D/A converter), 2 motors and presets - C60839WQ



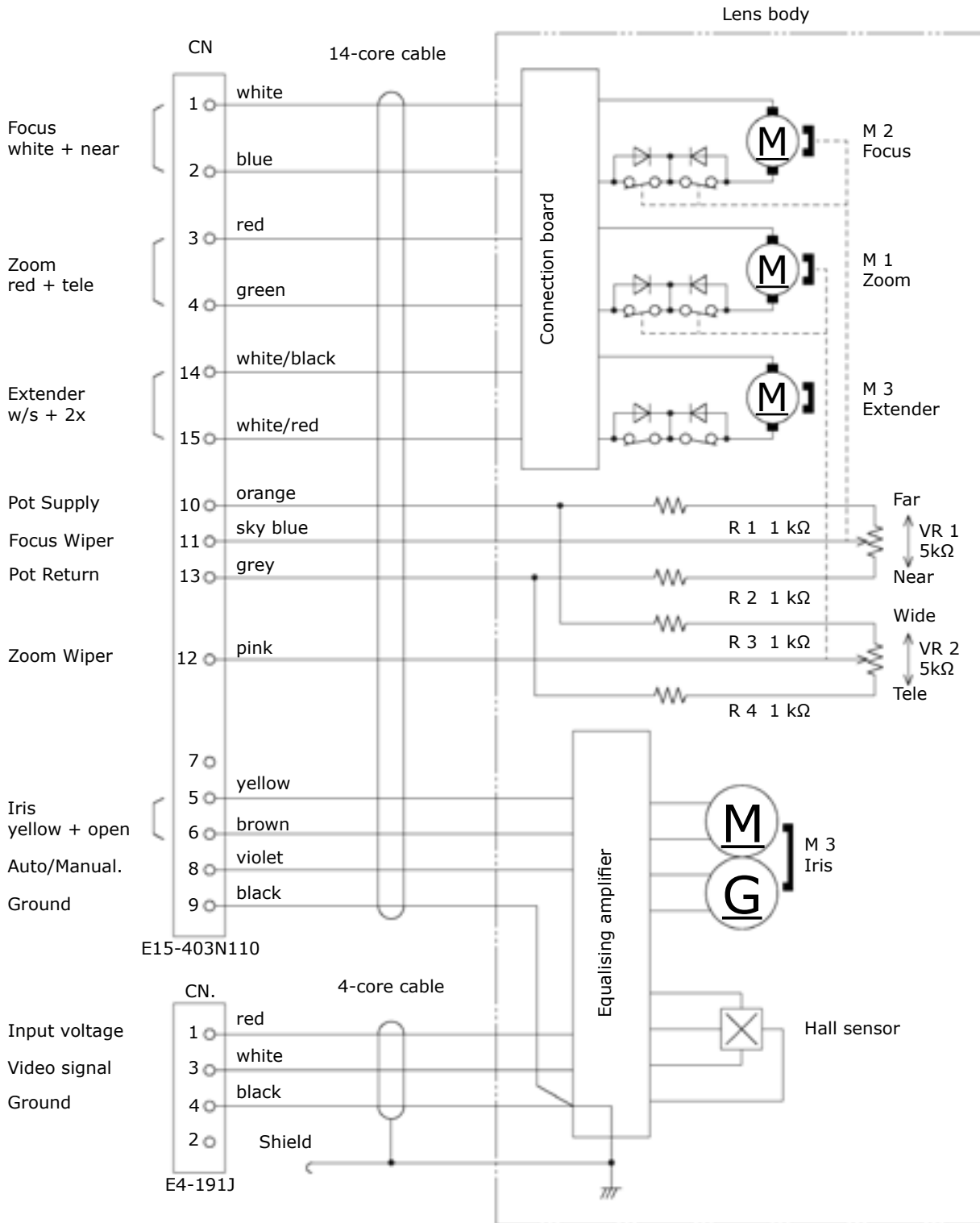
R 1, R 2, R 3, R 4	1 kΩ +/- 1%	0,1W
VR 1, VR 2	5 kΩ +/- 20%	0,125W

Wiring diagram for lenses with video drive iris, iris override, 2 motors and presets - C60839WX



R 1, R 2, R 3, R 4	1 kΩ +/- 1%	0,1W
VR 1, VR 2	5 kΩ +/- 20%	0,125W

Wiring diagram for C61244WP with D/A converter



R 1, R 2, R 3, R 4	1 kΩ	+/- 1%	0,1W
VR 1, VR 2	5 kΩ	+/- 20%	0,125W