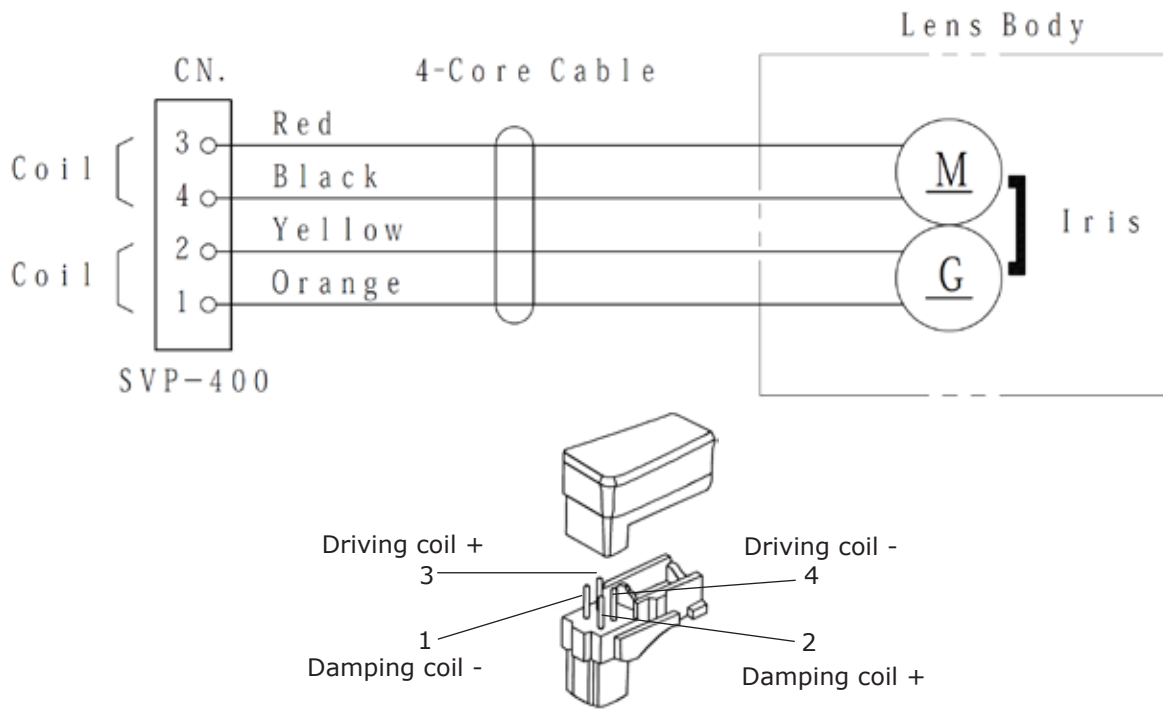
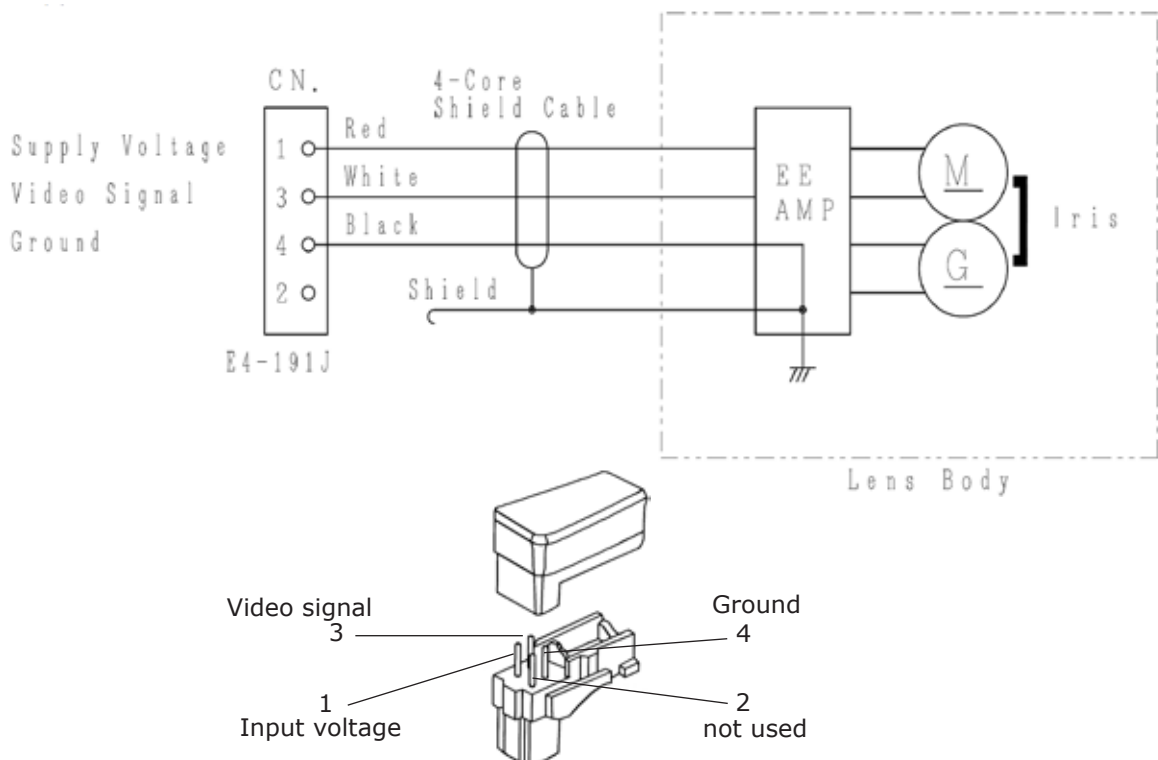


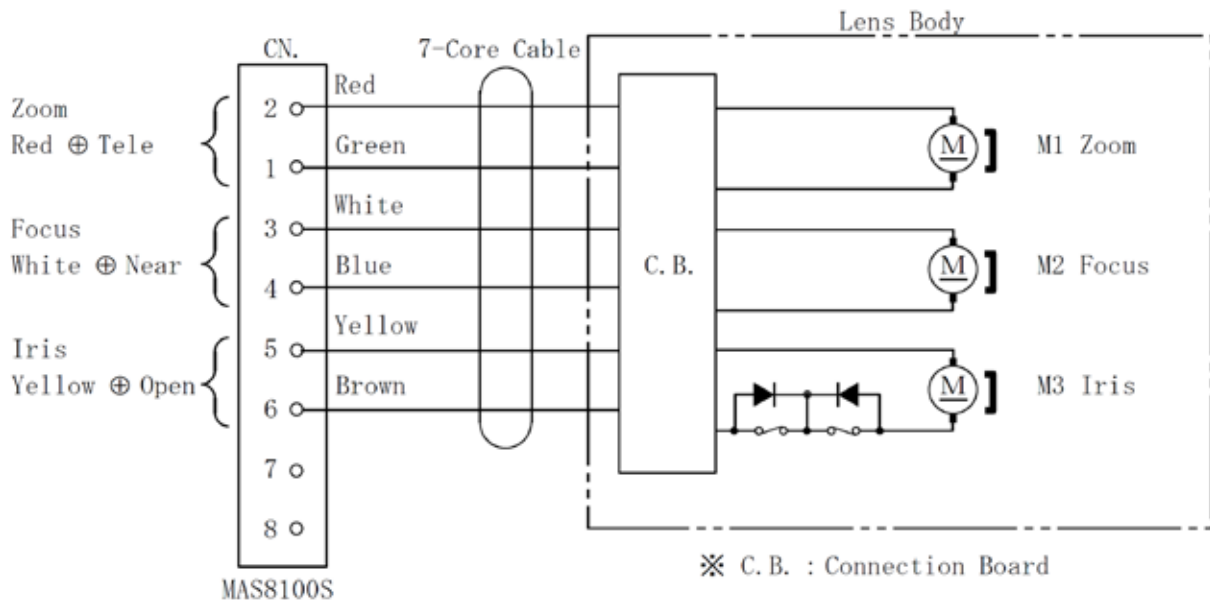
WIRING DIAGRAM AND PIN ASSIGNMENT FOR VARI FOCAL LENSES WITH DC AUTO-IRIS



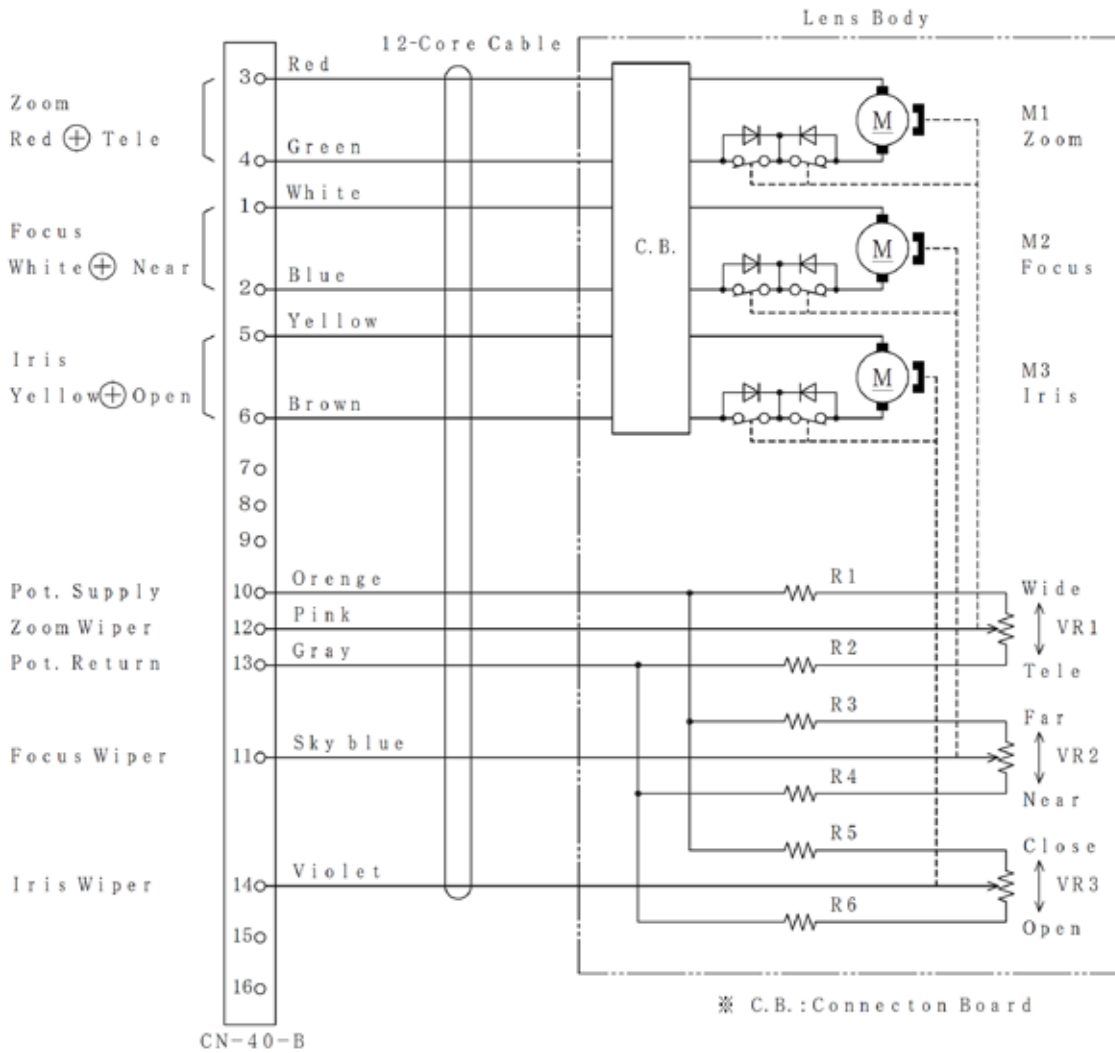
WIRING DIAGRAM AND PIN ASSIGNMENT FOR VARI FOCAL LENSES WITH VIDEO IRIS



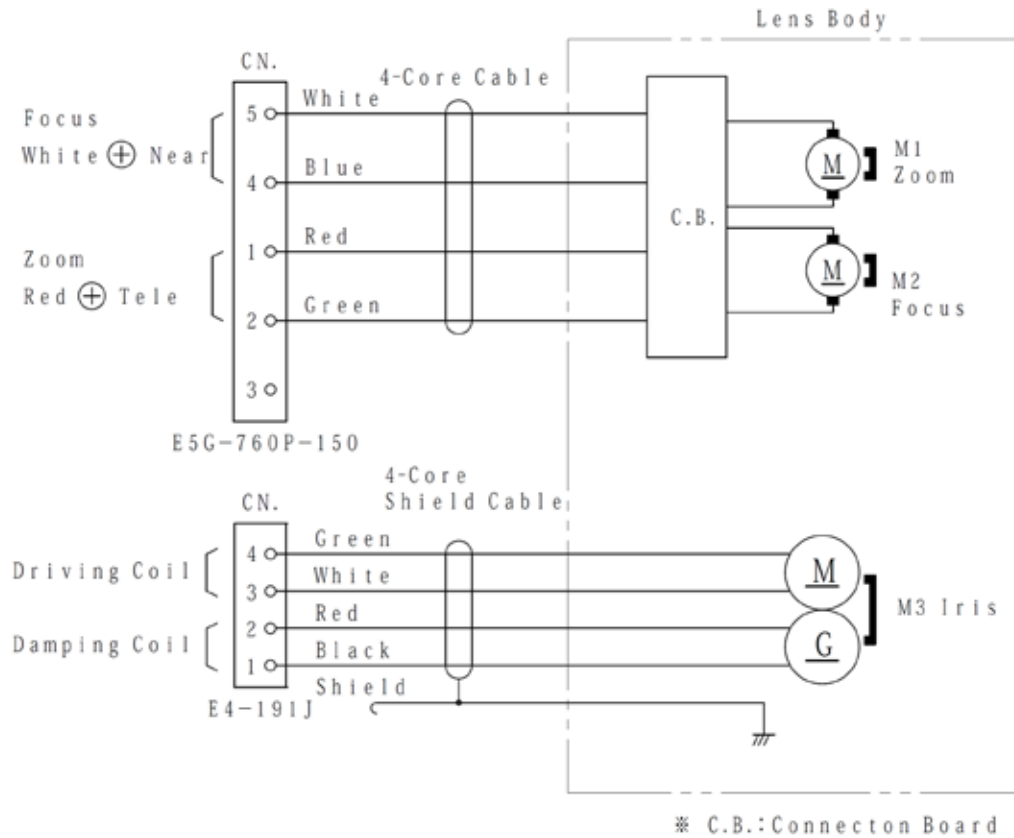
WIRING DIAGRAM FOR ZOOM LENSES WITH 3 MOTORS



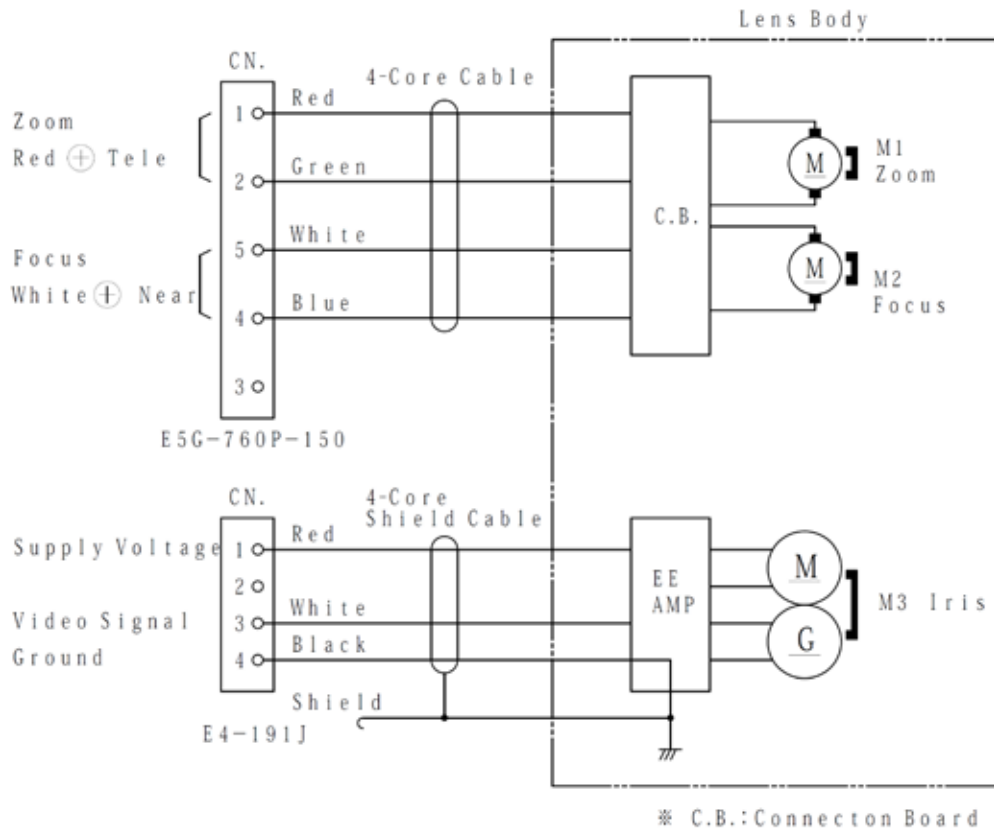
WIRING DIAGRAM FOR ZOOM LENSES WITH 3 MOTORS & PRESETS



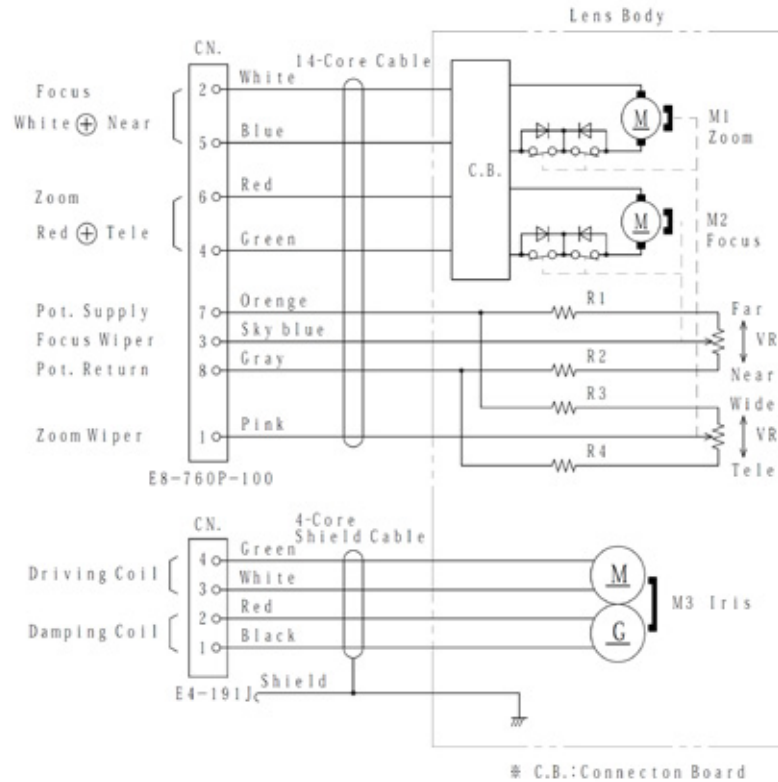
WIRING DIAGRAM FOR ZOOM LENS WITH DC AUTO-IRIS AND 2 MOTORS



WIRING DIAGRAM FOR ZOOM LENS WITH VIDEO AUTO-IRIS AND 2 MOTORS

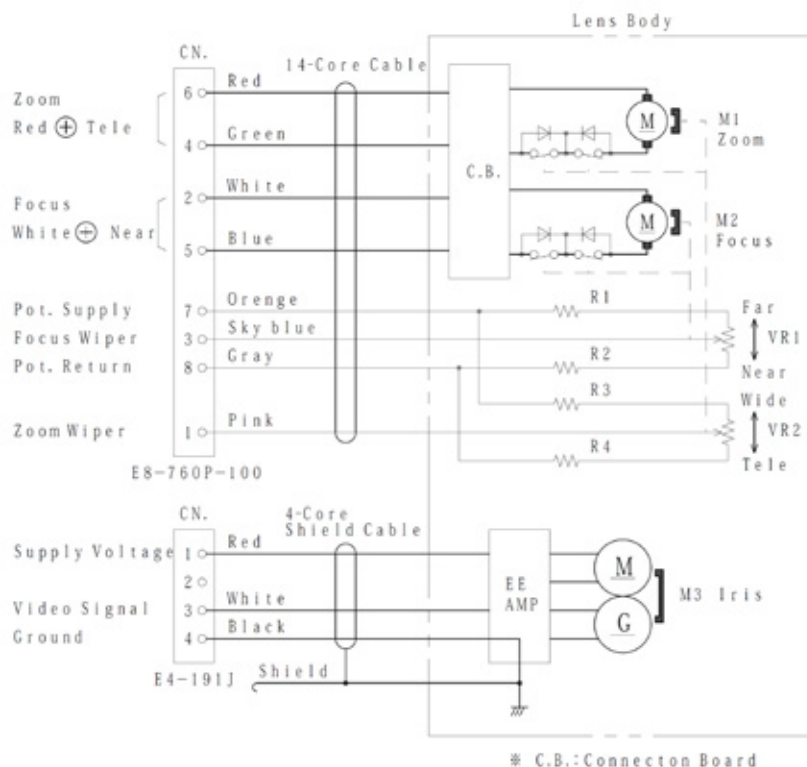


WIRING DIAGRAM FOR ZOOM LENS WITH DC AUTO-IRIS, 2 MOTORS AND PRESETS



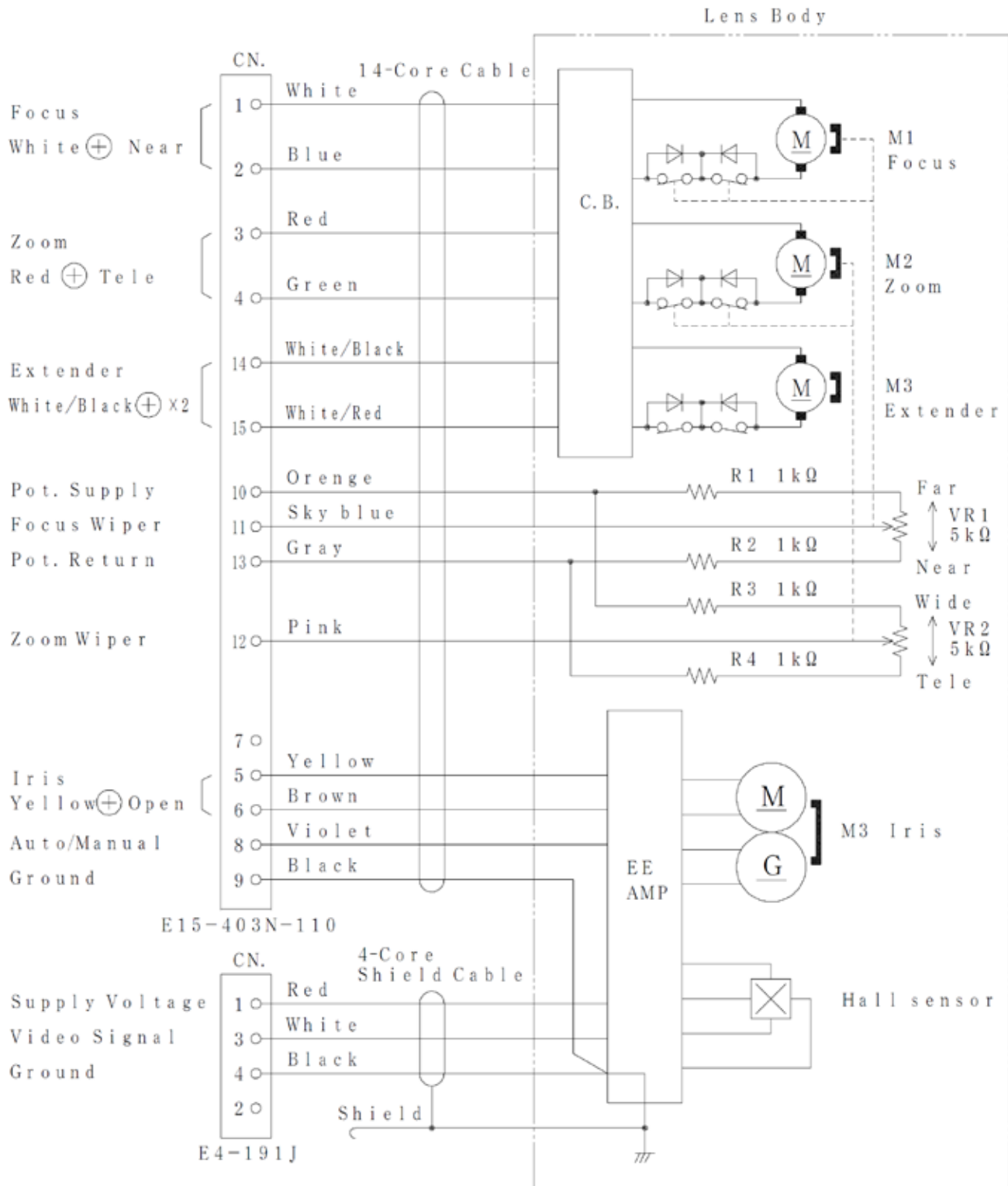
R1, R2, R3, R4	1kΩ ± 1%	0.1W
VR1, VR2	5kΩ ± 15%	0.2W

WIRING DIAGRAM FOR ZOOM LENS WITH VIDEO AUTO-IRIS, 2 MOTORS AND PRESETS



R1, R2, R3, R4	1kΩ ± 1%	0.1W
VR1, VR2	5kΩ ± 15%	0.2W

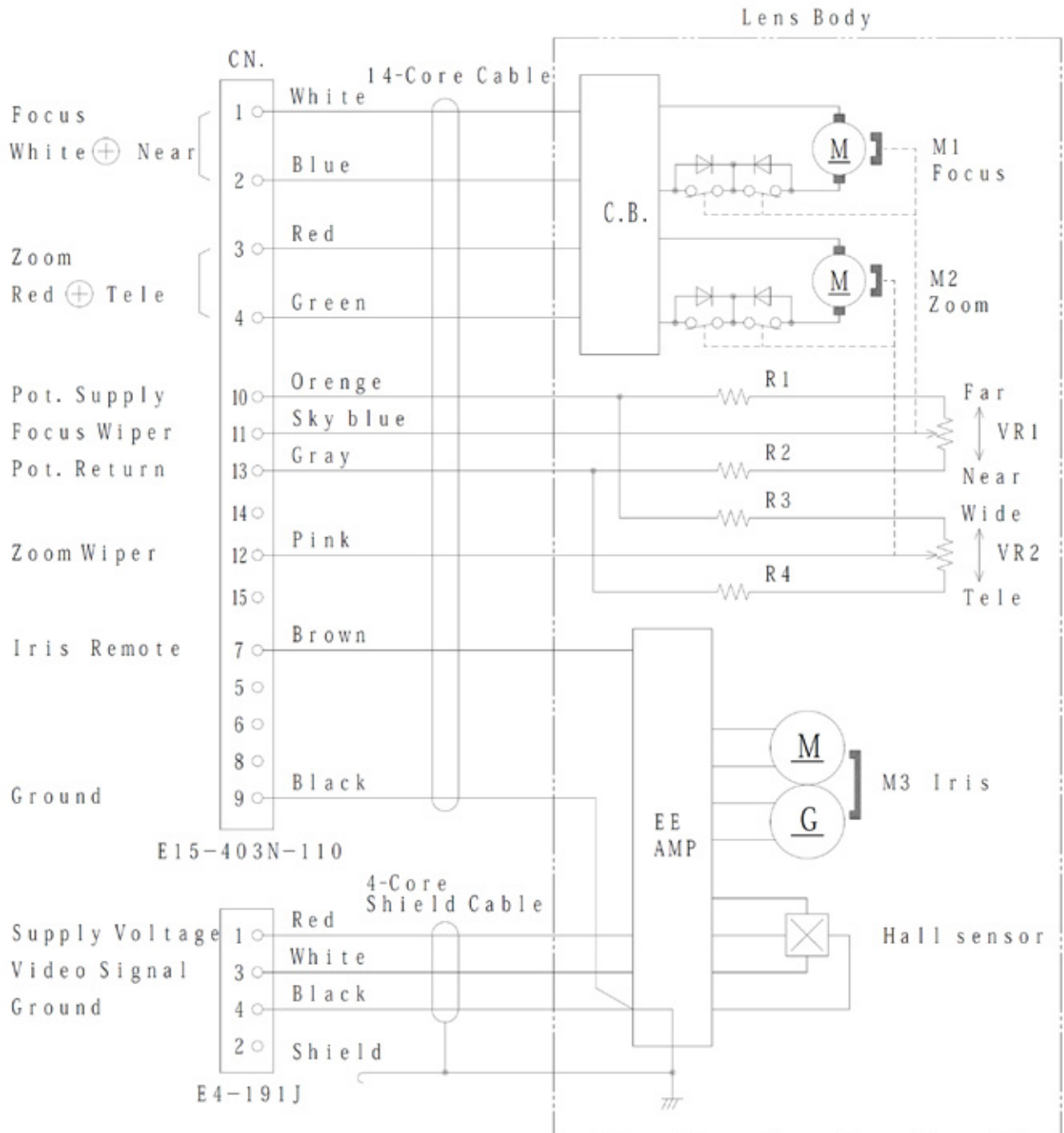
WIRING DIAGRAM FOR ZOOM LENSES WITH VIDEO IRIS, IRIS OVERRIDE (WITH D/A CONVERTER), 2 MOTORS, PRESETS AND 2.5X EXTENDER



※ C.B. : Connector Board

R1, R2, R3, R4	1KΩ ± 1% 0.1W
VR1, VR2	5KΩ ± 15% 0.2W

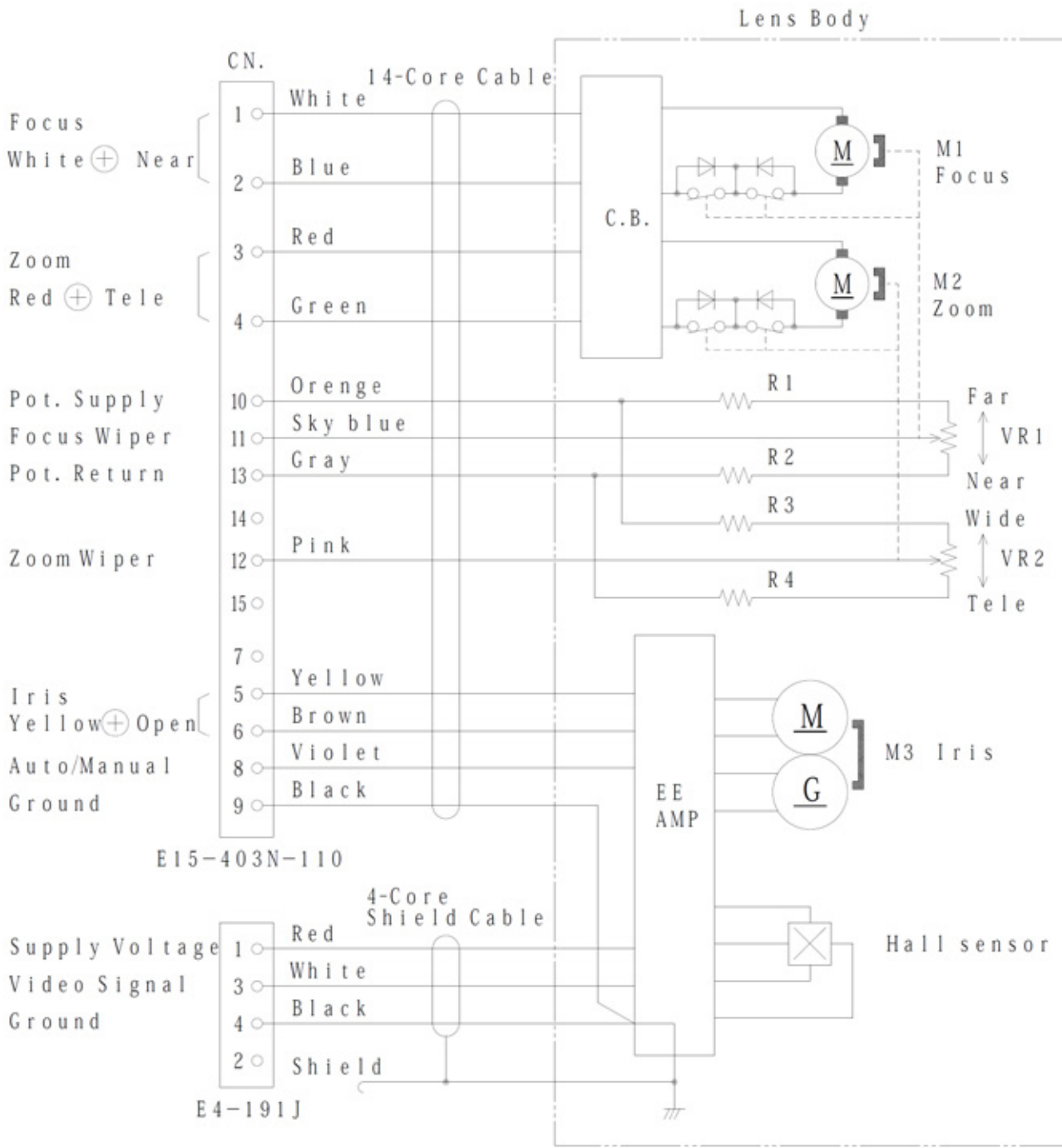
WIRING DIAGRAM FOR LENS WITH VIDEO IRIS, IRIS OVERRIDE, 2 MOTORS AND PRESETS



※ C.B.: Connection Board

R1, R2, R3, R4	1 kΩ	± 1%	0.1 W
VR1, VR2	5 kΩ	± 15%	0.2 W

WIRING DIAGRAM FOR ZOOM LENSES WITH VIDEO IRIS, IRIS OVERRIDE (WITH D/A CONVERTER), 2 MOTORS AND PRESETS



※ C.B.: Connection Board

R 1, R 2, R 3, R 4	1 kΩ	± 1%	0. 1W
VR 1, VR 2	5 kΩ	± 15%	0. 2W